

HGV DRIVERS' WALK AROUND CHECK

BRAKE LINES



ELECTRICAL CONNECTIONS



MIRRORS AND GLASS



BRAKES



FRONT VIEW



STEERING



SECURITY OF LOAD



NUMBERPLATE



MARKERS



REFLECTORS



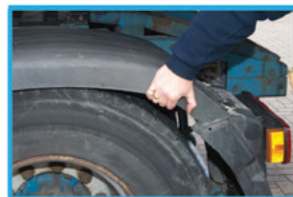
TYRES AND WHEEL FIXING



SPRAY SUPPRESSION



SECURITY OF BODY/WINGS



BATTERY SECURITY/CONDITION



COUPLING SECURITY



FUEL/OIL LEAKS



LIGHTS AND INDICATORS



HORN



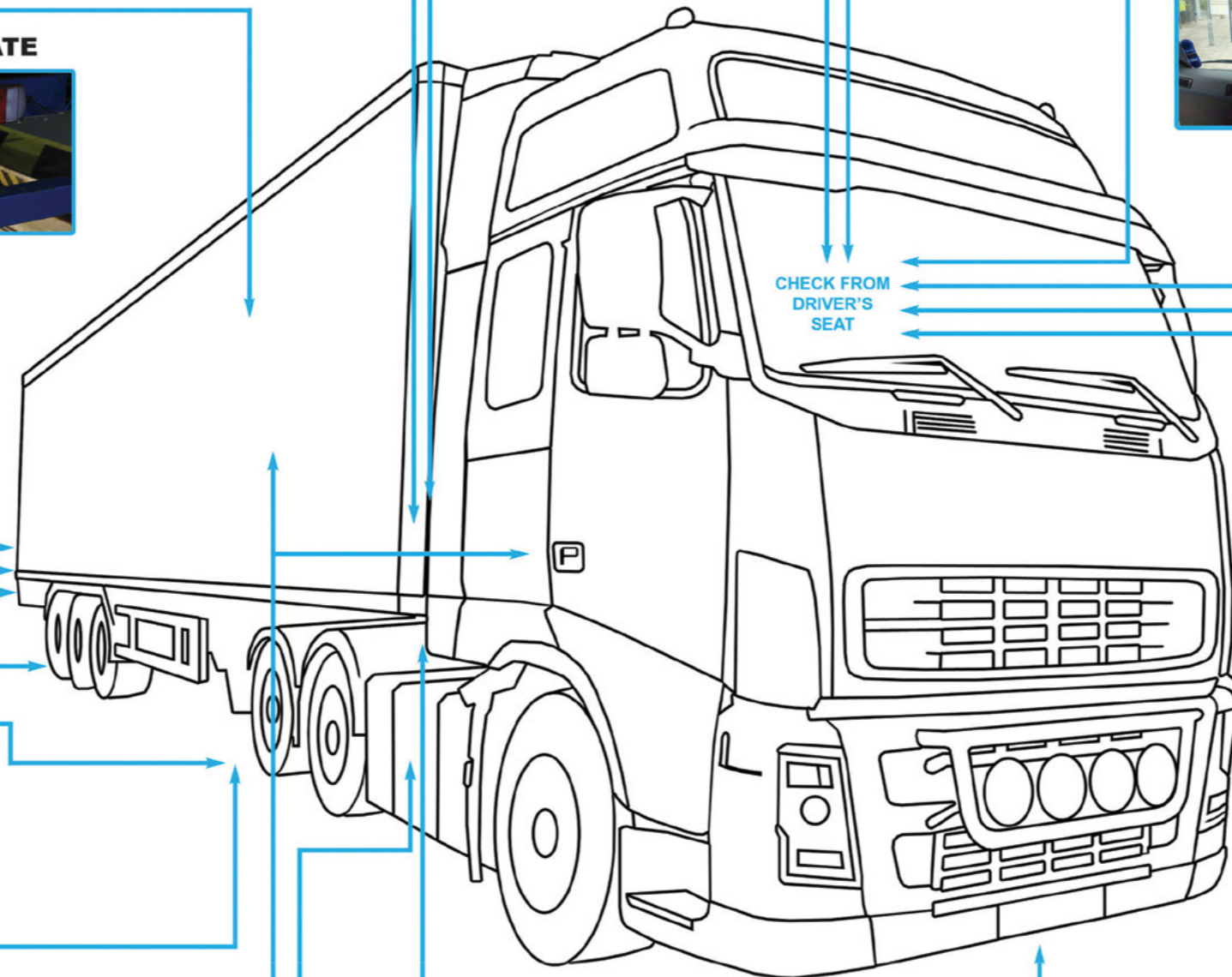
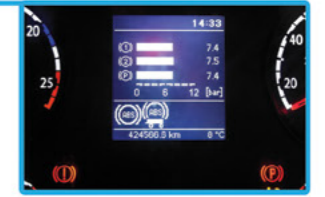
EXCESSIVE ENGINE EXHAUST SMOKE



WINDSCREEN WIPERS AND WASHERS



WARNING LAMP



Failure to comply can lead to a prohibition, a fixed penalty and penalty points on your licence